



Fender Eliminator Kit

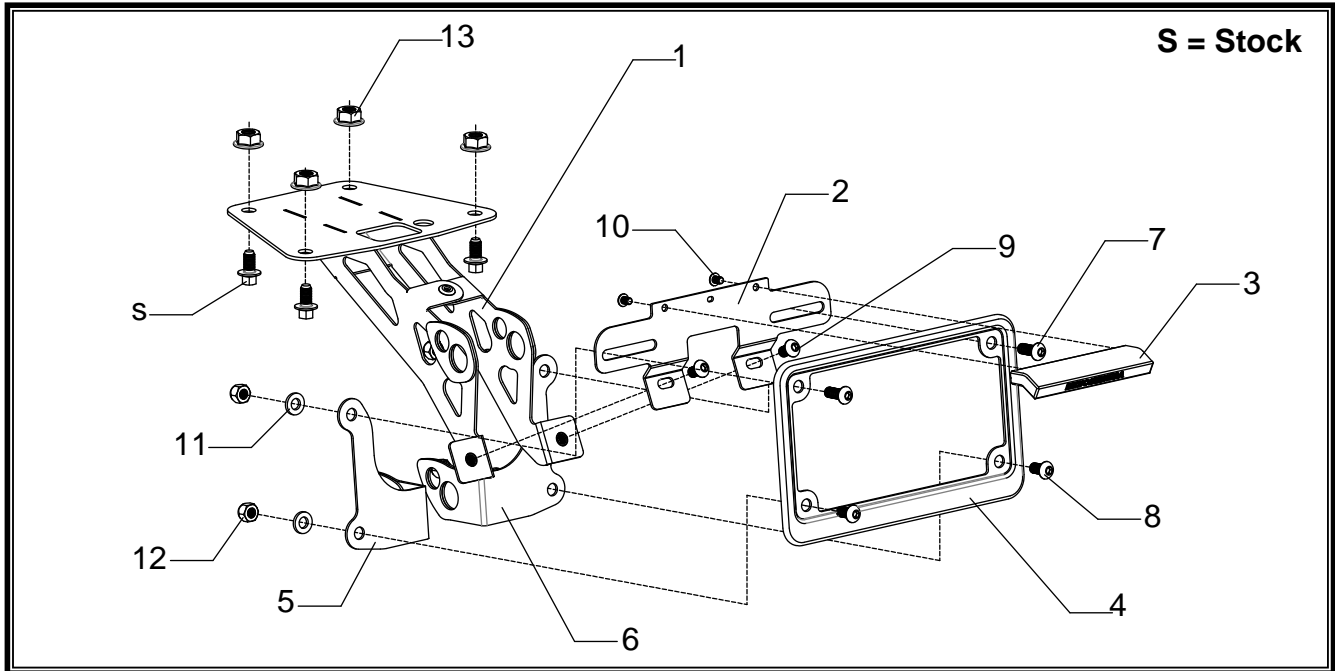
APPLICATION

YEAR	MODEL
2014	Honda Grom

PRODUCT

070BG121200	Honda Grom Fender Eliminator Kit
-------------	----------------------------------

! This product is not DOT approved. Yoshimura R&D of America, Inc. is not liable or responsible for any resulting event caused by the installation of this product. Check with local laws and regulations for compliance prior to installation and use. This product is not intended for use on public highways.



No.	Part #	Description	Qty
1	12120-FEBKT	Yoshimura Fender Eliminator Bracket	1
2	12200-FEBKT	Yoshimura License Plate Bracket	1
3	070BG-LH-K	LED License Plate Light	1
4	070BG-LPF	Yoshimura Aluminum License Plate Frame	1
5	12120-TSBKT-L	Left Turn Signal Bracket	1
6	12120-TSBKT-R	Right Turn Signal Bracket	1
7	M6X16BHS	6mm x 16mm Button Head Screw	2
8	M6X12BHS	6mm x 12mm Button Head Screw	2
9	M6X10BHS	6mm x 10mm Button Head Screw	2
10	M4X6BHS	4mm x 6mm Button Head Screw	2
11	6MMWASHER	6mm Washer	4
12	6MMLN	6mm Nylon Lock Nut	4
13	8MMNUT	8mm Flange Nut	4
**	94785-01-ND	Butt Connectors	2
**	ZT-200	Cable Ties	3
**	17029	Yoshimura Sticker Sheet	1

-TOOLS REQUIRED-

Metric Socket Set • Combination Wrench Set • Metric Allen Wrench Set

-REMOVAL-

1. **Remove seat.**
2. **Disconnect turn signal wires.**
3. **Remove the (4) bolts securing the stock fender assembly from under the passenger seat.**
4. **Carefully remove stock fender assembly.**
5. **Remove stock license plate light bulb from stock fender assembly.**
6. **Remove turn signals and turn signal shim from the stock fender assembly as they will be used with the Yoshimura Fender Eliminator Kit.**
7. **Cut the stock license plate light wire 3" from the license plate light bulb.**

-INSTALLATION-

1. **Install (12120-FEBKT) fender eliminator bracket using the four stock bolts and provided (8MMNUT) flange nut. See diagram for proper orientation.**
2. **Install (070BG-LH-K) LED license plate light onto (12200-FEBKT) license plate bracket using the two (M4x6BHS) screws as shown in the parts diagram.**
3. **Install (12200-FEBKT) license plate bracket onto (12120-FEBKT) fender eliminator bracket using the two (M6X10BHS) screws.**
4. **If using stock exhaust, follow instructions for a).
If using Yoshimura exhaust, follow instructions for b).**

IMPORTANT: Failure to install the stock turn signals in the correct location could lead to permanent damage of turn signal and/or muffler.

Stock Exhaust

- a) **Install stock turn signals onto (12120-FEBKT) fender eliminator bracket using the stock turn signal shim and stock turn signal securing nut.**

Yoshimura Exhaust

- b) **Install stock turn signals onto (12120-TSBKT-L) and (12120-TSBKT-R) turn signal brackets using the stock turn signal shim and stock turn signal securing nut.**

5. **Install (070BG-LPF) license plate frame and license plate to (12200-FEBKT) license plate bracket using the hardware provided in the kit. See diagram for proper orientation and order of hardware. If using turn signal brackets, install as shown on the parts diagram.**
6. **Using the connectors provided in the kit, connect the Yoshimura Fender Eliminator wires to the stock license plate light wires as follows: Red wire goes to Green wire; Black wire goes to Yellow wire.**
7. **Route wires through hole in bracket and underneath the seat. Reconnect turn signal and license plate light wires.**
8. **Re-install passenger seat.**
9. **Check for function of license plate light and turn signals and that all brackets and components are secure prior to riding.**